

» MULCHING HEAD

**LOFTNESS**

# BATTLE AX<sup>®</sup>

**SKID STEER & PRIME MOVER**



**Proudly American.**

# NOTHING BEATS A BATTLE AX

## SUPERIOR MATERIAL FEED RATES

### ROTOR DEPTH GAUGES

Biting into too much material at one time can slow the rotor and limit your performance. That's why we put depth gauges on the Battle Ax. They work like the raker teeth of a chain saw to regulate the amount of material being fed into the drum at one time.

- Optimized production rates
- Works well with all cutting tooth types
- More aggressive than ring-style limiters
- Easy operation



### **L SERIES**

**30-70** Hydraulic Horsepower Required

Standard Flow Skid Steers From **15-35.9 GPM**

**61"** Cutting Width

**13.5"** Diameter Rotor



### **S SERIES**

**50-150** Hydraulic Horsepower Required

High Flow Skid Steers From **28-62.9 GPM**

**61" & 71"** Cutting Width

**17"** Diameter Rotor



### **H SERIES**

**For Prime Movers With  
95-150 Horsepower**

**71" & 84"** Cutting Width

**17"** Diameter Rotor



### **EXTREME**

**For Prime Movers up to  
375 Horsepower**

**80"** Cutting Width

**21"** Diameter Rotor



## ***MORE CONSISTENT MATERIAL PROCESSING***

### **TWO-STAGE CUTTING CHAMBER**

The Loftness-exclusive two-stage cutting chamber is capable of processing material more thoroughly than competitive units, since it has two shear bars. Material is initially cut by the primary shear bar, located on the rear bumper. Then, a secondary shear bar behind the front bumper drives material back down into the knives for further processing before it is discharged to the ground.

- More consistent particle sizing
- Better ability to produce finer mulch, if desired, for faster decomposition
- Nicer looking end product



## ***THE BEST WARRANTY ON THE BADDEST HEAD***

When we say our products are heavy duty, we mean it. That's why we gave the Battle Ax a standard two-year warranty. Now, you can operate confidently, knowing we have your back.



## **STANDARD FLOW. EXTRAORDINARY PERFORMANCE.**

If you have a standard-flow skid steer or compact track loader with **15-35.9 GPM** weighing up to **10,300 pounds**, the L Series is for you. It's equipped with all the features you need to get more productivity out of less hydraulic system capacity.

**HIGH-PRESSURE GEAR MOTOR:** A 45cc high-pressure gear motor provides reliable power to the unit. It's designed to produce an optimal balance between speed and torque.

## **THE BATTLE AX DIFFERENCE**

Nothing else gets the job done like a Battle Ax. The **depth gauge design** and **two-stage cutting chamber** help you to work faster and produce better results than any other mulcher on the market.



The Battle Ax® L Series comes standard with an industry-leading 2-year warranty.

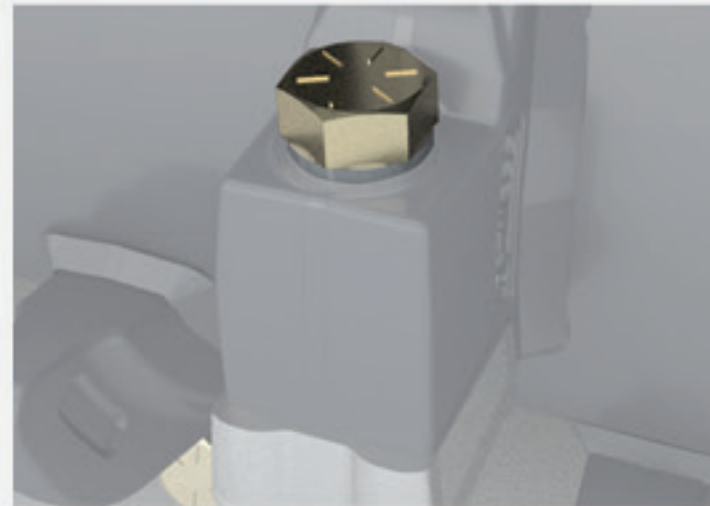
## BUILT FOR THE JOBS THAT BREAK OTHERS

Every aspect of the Battle Ax is engineered for maximum durability. From the large rotor bearings to the premium strength steel housing, you can count on Loftness to get you through the toughest jobs.



## PICK YOUR TEETH 3 TOOTH OPTIONS

The L Series is available with three cutting tooth options, all of which can be removed on the jobsite with a **single hex bolt**.



**QUADCO BLADES:** These planer blades effortlessly slice through trees and other vegetation. They require regular sharpening but can be rotated for extended service life.

**4-POINT BEAVER TEETH:** A pointed design helps pick up material from the ground. They are more cost effective than planer blades but offer less slicing performance.

**DOUBLE CARBIDE TEETH:** Carbide teeth are less aggressive than other options but are highly durable, making them well suited for rocky terrain.

» A **staggered tooth arrangement** ensures single-tooth contact with the work surface at all times while maintaining optimal rotor balance.

» The Battle Ax has specialized **anti-wrap protection** to help prevent debris from entering the bearing chamber.

» Control particle sizes and production rates with the **adjustable primary shear bar**.

» Machine performance can be easily monitored through the **integrated pressure gauge**.

» An available **tree pusher bar** has welded claw hooks for superior control when mulching trees.

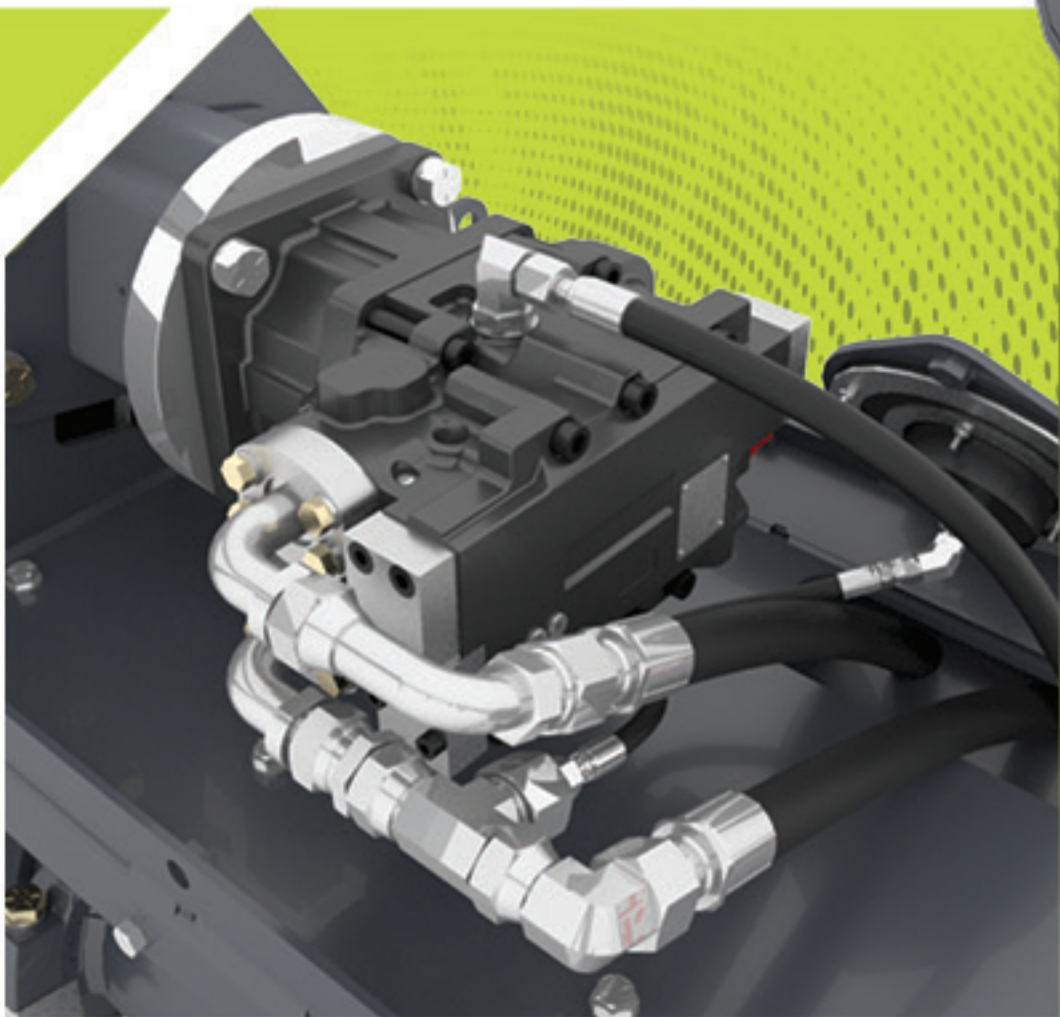
» The **unique body shape and hitch angle** of the Battle Ax allow it to be tilted back to fully expose the knives when cutting trees for greater performance.

## SPECIFICATIONS

Model	61BSL
Cutting Width	61" (1.55 m)
Overall Width	76" (1.9 m)
Number of Teeth	38
Weight (without mount)	1,728 LBS (784 kg)
Hydraulic Horsepower Range	30-70
Fixed Displacement Gear Motor	Up to 4,100 PSI - 15-35.9 GPM
Power Unit Weight	Up to 10,300 LBS



**Explore All Features**



## PLENTY OF POWER

Designed for high-flow skid steers and compact track loaders, the Battle Ax S Series is the mulching head that changed it all. It's available with a reliable high-pressure gear motor or our V-Drive for getting serious work done.

**V-DRIVE:** A variable-displacement piston motor automatically shifts the rotor RPM from the highest speed to a lower range for increased torque, as needed. The result is less stalling and a shorter recovery time, helping operators work more efficiently.

## THE BATTLE AX DIFFERENCE

Nothing else gets the job done like a Battle Ax. The **depth gauge design** and **two-stage cutting chamber** help you to work faster and produce better results than any other mulcher on the market.



The Battle Ax® S Series comes standard with an industry-leading 2-year warranty.

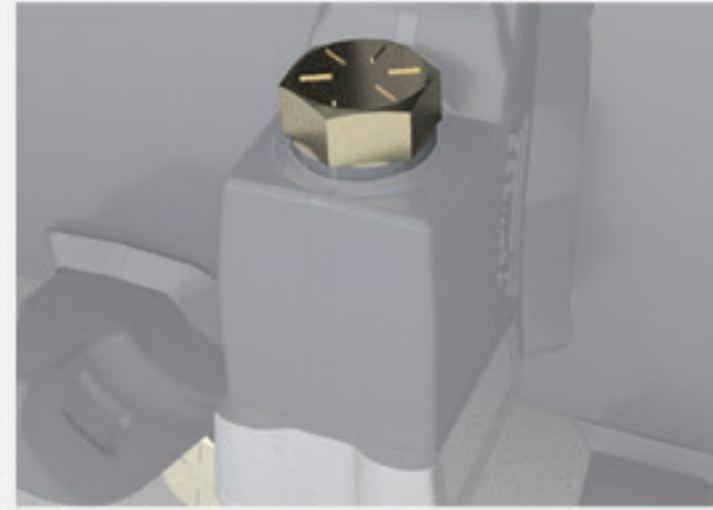
## BUILT FOR THE JOBS THAT BREAK OTHERS

Every aspect of the Battle Ax is engineered for maximum durability. From the large rotor bearings to the premium strength steel housing, you can count on Loftness to get you through the toughest jobs.



## PICK YOUR TEETH 3 TOOTH OPTIONS

The S Series is available with three cutting tooth options, all of which can be removed on the jobsite with a **single hex bolt**.



**QUADCO BLADES:** These planer blades effortlessly slice through trees and other vegetation. They require regular sharpening but can be rotated for extended service life.

**HARD-SURFACE QUADCO BLADES:** These blades are heat-treated for extended service life, but they aren't recommended for rocky conditions, since they are more prone to damage.

**CARBIDE TEETH:** Carbide teeth are less aggressive than other options but are highly durable, making them well suited for rocky terrain.

» A **staggered tooth arrangement** ensures single-tooth contact with the work surface at all times while maintaining optimal rotor balance.

» The Battle Ax has specialized **anti-wrap protection** to help prevent debris from entering the bearing chamber.

» The S Series can be equipped with a **hydraulic brake** to slow the rotor faster during shutdown.

» Control particle sizes and production rates with the **adjustable primary shear bar**.

» An available **tree pusher bar** has welded claw hooks for superior control when mulching trees.

» The **unique body shape and hitch angle** of the Battle Ax allow it to be tilted back to fully expose the knives when cutting trees for greater performance.

» When used in abrasive environments, an optional **bolt-in liner** helps protect the drum from wear.

## SPECIFICATIONS

Model	61BS	71BS
Cutting Width	61" (1.55 m)	71" (1.8 m)
Overall Width	79.1" (2.01 m)	89.1" (2.26 m)
Number of Teeth	30	36
Weight (with liner/without mount)	2,604 LBS (1,181.2 kg)	2,841 LBS (1,288.7 kg)
Crated Weight	2,831 LBS (1,284.12 kg)	3,088 LBS (1,400.7 kg)
Hydraulic Horsepower Range	50-150	50-150
Fixed Displacement Gear Motor	Up to 4,300 PSI	Up to 4,300 PSI
	28-40 GPM	28-40 GPM
Variable-Displacement Piston Motor	Up to 6,000 PSI	Up to 6,000 PSI
	32-62.9 GPM	32-62.9 GPM



Explore All  
Features



## **NO STALLING ON THE JOB**

Less stalling. Shorter recovery times. Our **V-Drive variable-displacement piston motor** keeps your prime mover working at maximum efficiency. It automatically shifts the rotor RPM from the highest speed to a lower range for increased torque as needed to optimize productivity in both lighter brush and thicker trees.

## **THE BATTLE AX DIFFERENCE**

Nothing else gets the job done like a Battle Ax. The **depth gauge design** and **two-stage cutting chamber** help you to work faster and produce better results than any other mulcher on the market.



*The Battle Ax® H Series comes standard with an industry-leading 2-year warranty.*

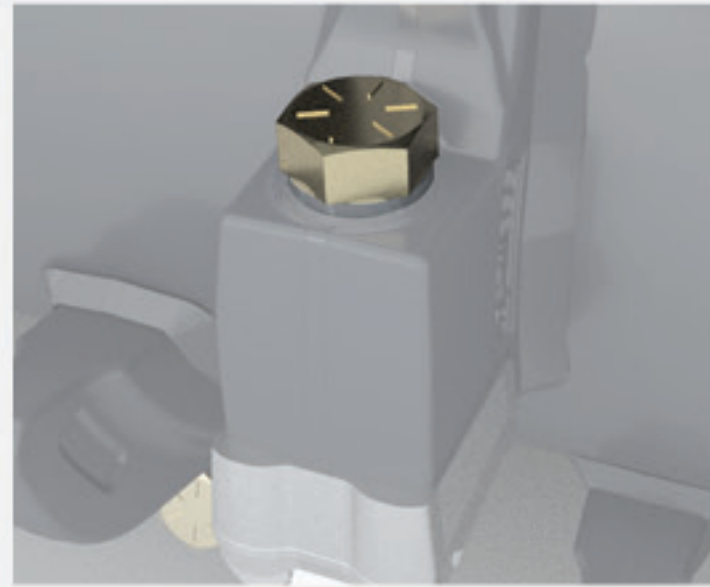
## BUILT FOR THE JOBS THAT BREAK OTHERS

Every aspect of the Battle Ax is engineered for maximum durability. From the large rotor bearings to the premium strength steel housing, you can count on Loftness to get you through the toughest jobs.



### PICK YOUR TEETH 3 TOOTH OPTIONS

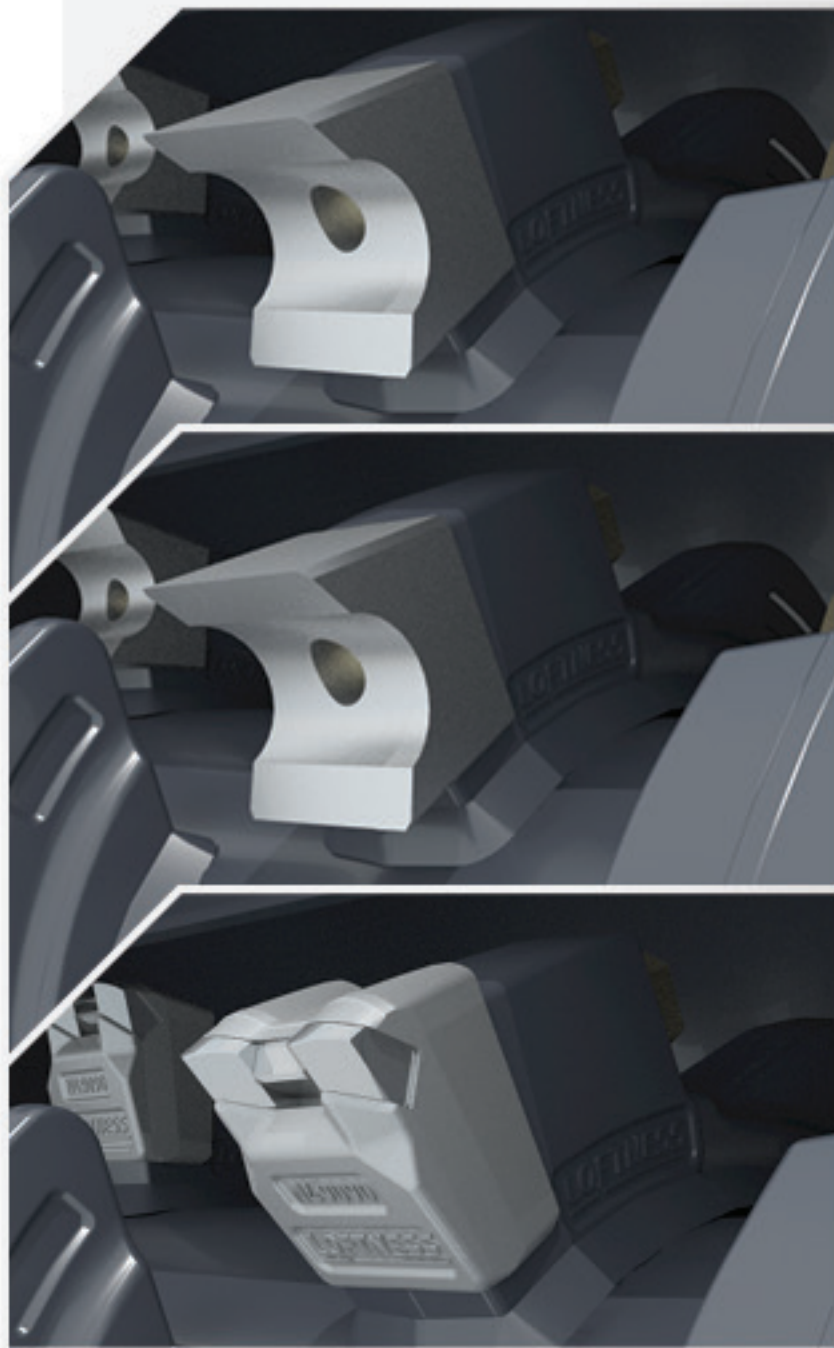
The H Series is available with three cutting tooth options, all of which can be removed on the jobsite with a **single hex bolt**.



**QUADCO BLADES:** These planer blades effortlessly slice through trees and other vegetation. They require regular sharpening but can be rotated for extended service life.

**HARD-SURFACE QUADCO BLADES:** These blades are heat-treated for extended service life, but they aren't recommended for rocky conditions, since they are more prone to damage.

**CARBIDE TEETH:** Carbide teeth are less aggressive than other options but are highly durable, making them well suited for rocky terrain.



## SPECIFICATIONS

Model	71BH	84BH
Cutting Width	71" (1.8 m)	84" (2.1 m)
Overall Width	88.3" (2.2 m)	101.3" (2.6 m)
Number of Teeth	36	42
Weight (without mount)	3,440 LBS (1,561 kg)	3,792 LBS (1,720 kg)
Crated Weight	3,614 LBS (1,640 kg)	3,992 LBS (1,811 kg)
Hydraulic Horsepower Range	95-150	95-150
Variable-Displacement Piston Motor	Up to 6,000 PSI 32-62.9 GPM	Up to 6,000 PSI 33-62.9 GPM

» A **staggered tooth arrangement** ensures single-tooth contact with the work surface at all times while maintaining optimal rotor balance.

» The Battle Ax has specialized **anti-wrap protection** to help prevent debris from entering the bearing chamber.

» Machine performance can be easily monitored through the **integrated pressure gauge**.

» An available **tree pusher bar** has welded claw hooks for superior control when mulching trees.

» When used in abrasive environments, an optional **bolt-in liner** helps protect the drum from wear.



Explore All  
Features



## **BUILT FOR THE BIGGEST PRIME MOVERS**

Twin hydraulic motors on the Battle Ax Extreme are designed for use on prime movers up to 375 horsepower. These are variable-displacement piston motors that automatically shift the rotor RPM from the highest speed to a lower range for increased torque, as needed, to optimize productivity in both lighter brush and thicker trees.

## **THE BATTLE AX DIFFERENCE**

Nothing else gets the job done like a Battle Ax. The **depth gauge design** and **two-stage cutting chamber** help you to work faster and produce better results than any other mulcher on the market.



*The Battle Ax® Extreme comes standard with an industry-leading 2-year warranty.*

## SUPERIOR MULCHING CONTROL

The specialized design of the Battle Ax Extreme incorporates a movable door, which can be closed to trap material for further processing or opened to provide access for felling trees. The hydraulic cylinder that actuates the door is shielded to protect it from damage.



» A **staggered tooth arrangement** ensures single-tooth contact with the work surface at all times while maintaining optimal rotor balance.

## SPECIALIZED TEETH

Extreme triple carbide teeth are engineered for use on the most powerful prime movers. They feature an overlapping cap design that helps prevent the tooth mounts from damage if the rotor is driven into rocks. The teeth are mounted with a single hex bolt for easy replacement on the jobsite.



» The Battle Ax has specialized **anti-wrap protection** to help prevent debris from entering the bearing chamber.

## BUILT FOR THE JOBS THAT BREAK OTHERS

Every aspect of the Battle Ax Extreme is engineered for maximum durability. From the large rotor bearings to the premium strength steel housing, you can count on Loftness to get you through the toughest jobs.



## SPECIFICATIONS

Model	80BEL	80BEH
Cutting Width	80" (203.2 cm)	80" (203.2 cm)
Overall Width	102" (259.1 cm)	102" (259.1 cm)
Number of Teeth	30	30
Weight	5,605 LBS (2,542.4 kg)	6,680 LBS (3,030 kg)
Variable-Displacement Piston Motor	Up to 6,000 PSI 52-108 GPM	Up to 6,000 PSI 52-108 GPM

Warning: Due to the possible danger of flying debris, impact-resistant shielding MUST be provided for the operator. The owner is responsible for providing operator-protection devices on the power unit.

» The unit can be equipped with a fixed or hydraulically adjustable **tree pusher bar** with welded claw hooks for superior control when mulching trees.

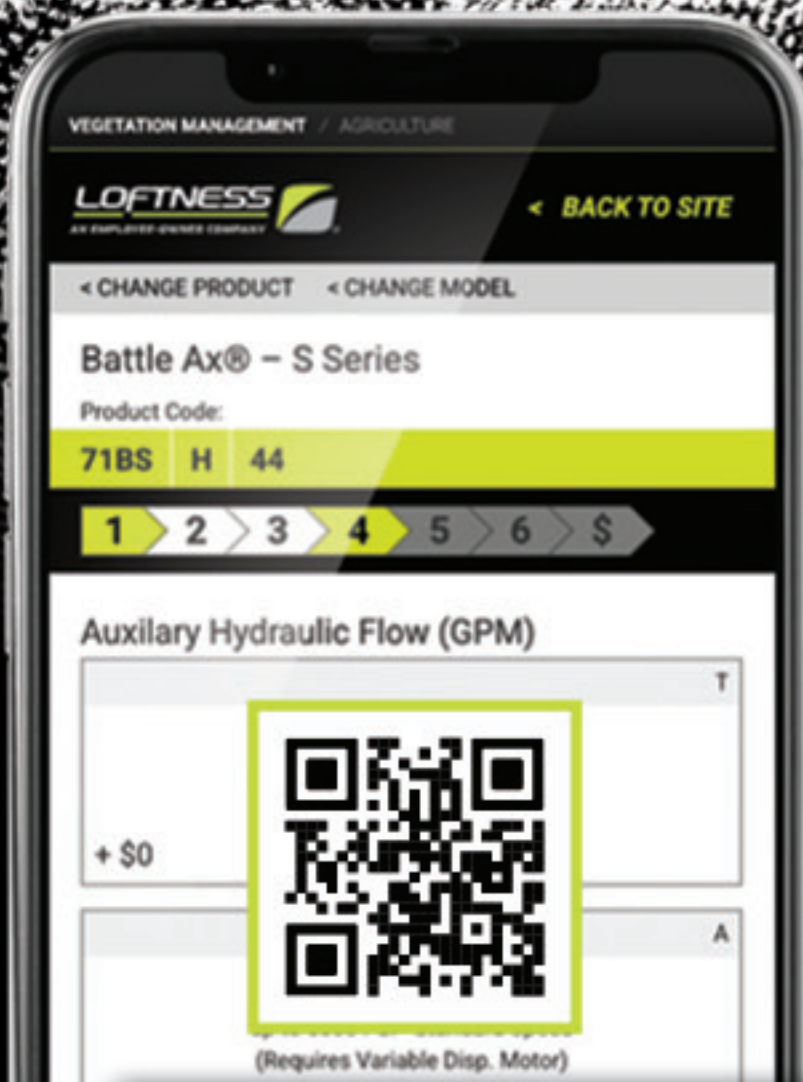


**Explore All Features**

# DURABILITY RUNS DEEP WITH OUR FULL LINE OF EQUIPMENT



**MULCHING HEADS » BRUSH CUTTERS » DISC MULCHERS » FLAIL MOWERS  
STUMP GRINDERS » HYDRAULIC COOLERS » MECHANICAL TRIMMERS**



## **BUILD & PRICE TOOL**

Like what you see? Start customizing your own Battle Ax® with our online tool.



## **FIND A DEALER**



Prefer to talk to a local expert? Find your nearest Loftness dealer and get straight answers.

## **Proudly American. Employee Owned.**

At Loftness, we're proud of the products we make at our local manufacturing facility in Hector, Minnesota. And we take things personally when it comes to providing customers with the most durable, highest performing equipment that's backed by the best customer support. That's because we're 100% employee-owned, so every single one of us has a stake in your success.



Loftness Specialized Equipment  
650 Main Street South • Hector, Minnesota 55342 USA  
US & Canada: 800-828-7624 | International 320-848-6266  
info@loftness.com | www.loftness.com