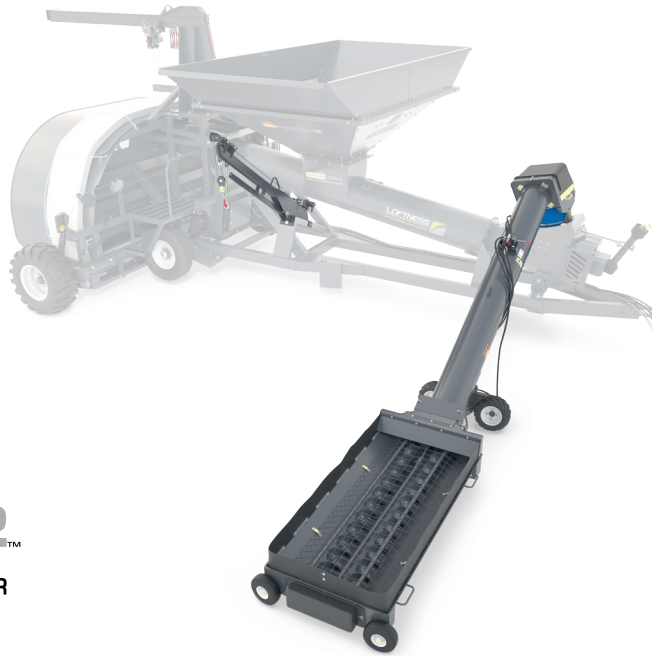


# GRAIN BAG TRUCK AUGER

## 12-FOOT SYSTEM

# LOFTNESS



**GL SYSTEM 12**<sup>TM</sup>  
HD TRUCK AUGER

## FEATURES

### *GL System 12 Truck Unloading Auger*

- **NEW Electric Hopper Lift Winch Standard**
- PTO Driven Augers
- **11,900 Bushels Per Hour Capacity**
- 1000 RPM PTO 1-3/8" or 1-3/4"
- Hydraulic Hopper Positioning
- 120 HP/5 GPM Tractor Req.
- Self-Leveling Hopper
- Twin 7 Inch Hopper Augers
- **13 Inch Main Auger**
- Adjustable Hopper Guide Wheels
- Chain-Type Drive Coupler
- Easy Transporting System
- Easily Converts From Trucks to Carts
- Low Profile, Oversized Hopper
- Traction Tires on Hopper Drive
- Hopper Height -12 Inches
- Hopper Height With Extension -19 Inches
- Hopper Width - 40 Inches
- Hopper Length - 82 Inches

**(800)828-7624 / (320)848-6266**

**LOFTNESS.COM**

**BUILD  
& PRICE**



650 South Main Street | Hector, MN 55342

<b>SPECS</b>	Weight	<b>1,220 lbs</b>
	Transfer Capacity	11,900 Bushels/hr
	GPM (Required)	6
	PSI (Required)	2000

<b>GROUP</b>	Circle/select 1 item from each group in the proper size/model column and product code column. →		<b>PRODUCT CODE</b>
<b>1</b>	<b>Size</b>		
	GBL-12 Truck Unloading Auger Kit	<b>GBA 12</b>	\$23,211

<b>PRODUCT CODE</b>	<b>GBA 12</b>	<b>\$</b>
<b>GROUP</b>	<b>1</b>	
		<b>TOTAL LIST PRICE</b>

NOTE: For use with a Standard GBL12 purchased without the Truck Unloading Auger. Includes Electric Hopper Lift Winch & Lift Arm

