



Grain Bag Loader - Truck Auger Option

Standard Features - Options are shown on the back page.

- Hopper Lift Winch Options
- Hydraulic Transport Option
- PTO Driven Augers
- 11,900 Bushels per Hour Capacity
- 1000 RPM PTO 1-3/8 or 1-3/4
- 120 HP/6 gpm Tractor Req.
- Hydraulic Hopper Positioning
- Manual Hopper Lift Winch (standard)
- Twin 7 inch Hopper Augers
- 2 Easy Access Clean-out Doors
- 13 inch Augers
- Adjustable Hopper Guide Wheels
- Chain-type Drive Coupler
- Easy Transporting System
- Easily Converts from Trucks to Carts
- Low Profile, Oversized Hopper
- Traction Tires on Hopper Drive
- Hopper Height -12 inches
- Hopper Height w/extension -19 inch
- Designed for Easy Set-up
- Hopper Width - 40 inches
- Hopper Length - 82 inches
- Weight - 4540 pounds (kit only)
- Hoses and Couplers are Included



2019 RETAIL PRICES

GL SYSTEM10™ TRUCK AUGER

MODEL NUMBER
GBA10(D/N) . _____
PTO option option



GBA 10D
Truck Unloading
Swing Hopper
System*
for SN 52-1339 and larger
* Add PTO Choice

202171
\$ 29,339.00



GBA 10
Truck Unloading
Swing Hopper
System*
for SN 52-743 TO 52-1338
* Add PTO Choice

N33299
\$ 29,339.00

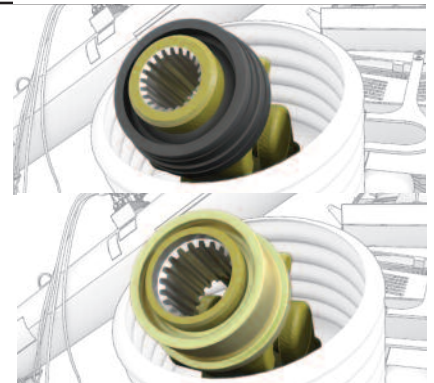


GBA 10N
Truck Unloading
Swing Hopper
System*
for SN 52-101 to 52-742
* Add PTO Choice

N27921
\$ 29,339.00

***PTO choice A**
1-3/8" 1000 RPM
N29020
\$ 980.00

***PTO choice B**
1-3/4" 1000 RPM
N29021
\$ 980.00



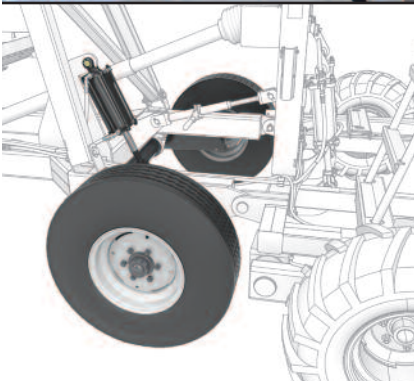
Option E
Electric
Swing Hopper
Lift Winch

N33113
\$ 1,740.00

Option H
Hydraulic
Swing Hopper
Lift Winch

* includes valve & hoses

N33093
\$ 3,160.00



Option T
Hydraulic
Transport Kit
or SN 68-222 & higher
* includes hoses & couplers

N33659
\$ 5,760.00

Option W
Work Light Kit
Magnetic Mount
3 -10 LED Lights
2400 lumens ea.

N33060
\$ 560.00

