



Grain Bag Unloader Model GBU-10

Standard Features - Options are shown on the back page.

- **NEW On-Board Bag Baler Option**
- **NEW** End-driven Cross Auger
- **NEW** Worm Gear Roller Drive Gearbox
- **NEW** Hydraulic Spout Deflector
- **NEW** Bag Roller Hooks
- **NEW** Hydraulic Hose Holders
- **NEW** Height Adjustment Chain
- Unloads 9 or 10 Foot Grain Bags
- 2" Bag Roller Shaft & Heavy-duty Bearings
- 17 inch Diameter Main Auger
- 10 inch Diameter Cross Auger
- Spring-loaded Clutch for Easy Bag Removal
- User-friendly Ground Level Controls
- 1-piece Bag Knife, Multi-position
- Uses Standard Sprockets and Spindles.
- Main Auger, 50 degree Angle for Reach
- Gearbox is Common to Grain Cart Industry
- Triple-lobed Main Auger Drive Connection
- Double Bearings on Main Chain Drive
- 11L-15 10 Ply Implement Tires
- Requires Minimum 50 Hp Tractor
- 540 pto - 6 gpm Hydraulic
- 15 foot Unloading Auger Clearance Height
- Folds for Easy Transport
- Hoses & Couplers Included
- Automatic Latch to Lock into Transport
- Safety Warning Lights
- Weight: 5760 US pounds

2019 RETAIL PRICES

MODEL NUMBER
GBU 10 . _____
option option option

GL SYSTEM 10™
GRAIN BAG UNLOADER



GBU10
Grain Bag Unloader
10' Bags

\$ 46,389.00

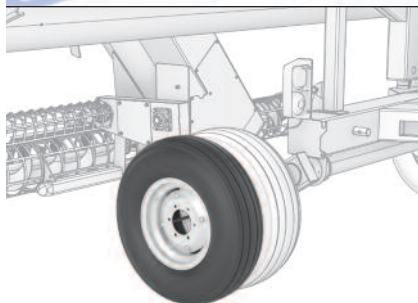
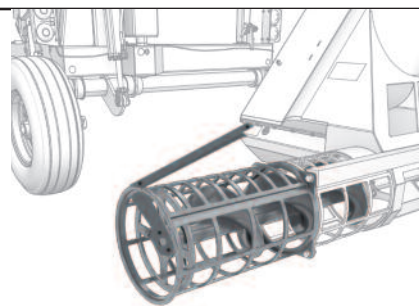


Option B
BB 10-300
Grain Bag Baler
9' or 10' Bags
Up to 300 feet

PN - 201601
\$ 7,850.00

Option N
9 foot Bag
Unloading Kit

N37820
S/N 51-857 to 51-1421
201284
S/N 51-1422 and higher
\$ 2,140.00



Option T
3rd Wheel and
Tire Kit

N22753
\$ 460.00

Option W
Work Light Kit
Magnetic Mount
3 -10 LED Lights
2400 lumens ea.

N33060
\$ 560.00

