



## Grain Bag Loader Model GBL-12

### Standard Features - Options are shown on the back page.

- Loads 12 foot Diameter Bags up to 500 feet Long
- 500 Bushels per Minute Capacity into Main Hopper
- 12 foot Diameter Bags Hold 70 Bushels per foot
- Fast, Easy Set-up & Operation
- 120 HP/ 6 GPM -1000 rpm PTO Tractor Req.
- Huge 8' Long by 14' 10" wide x 9' 1" high Main Loading Hopper
- 20 inch Auger with 2 inch Bearings
- 1/4 inch Thick Auger Flighting
- 15L-19.5 SureGrip Traction Tires
- Electric Lift, Trolley & Bag Pan Apron for Bag Loading
- Wireless Remote Control & Manual Backup Switches for Bag Loading
- Automotive Disk Brakes Components
- Hand Wheel for Applying Brakes
- Pressure Gauge for Monitoring Brake Pressure
- Operating Weight - 13,020 pounds
- Overall Dimensions:  
19'8" wide, 13'6" high, 32'6" long
- Heavy-duty Hitch Jack for 1826 lb. Tongue Weight
- Optional Truck Unloading Swing Hopper



## 2019 RETAIL PRICES

### GL SYSTEM 12™ HD GRAIN BAG LOADER

### MODEL NUMBER GBL12. \_\_\_\_\_

type                      PTO                      option



**GBL12S**  
Grain Bag Loader  
12' Bags  
No Truck Auger  
\* Add PTO Choice Below

**\$ 91,059.00**

**GBL12C**  
Grain Bag Loader  
12' Bags  
Short Hitch Model  
\* Add PTO Choice Below

**\$ 83,949.00**

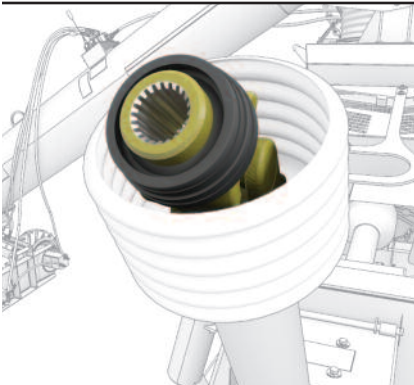


**GBL12A**  
Grain Bag Loader  
12' Bags  
With Truck Auger  
\* Add PTO Choice Below

**\$ 105,999.00**

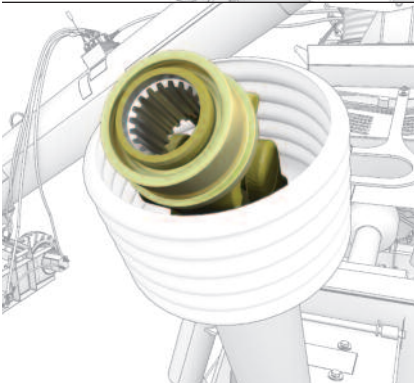
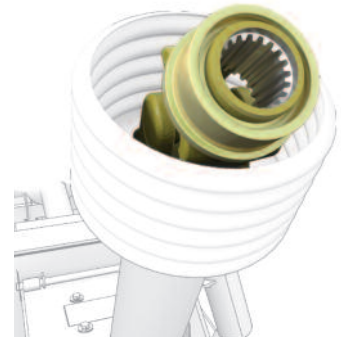
**PTO C**  
PTO choice for  
GBL12C only  
1-3/8" 1000 RPM

N30626  
**\$ 980.00**



**PTO A**  
PTO choice for  
GBL12S/12A only  
1-3/8" 1000 RPM  
N29020  
**\$ 980.00**

**PTO D**  
PTO choice for  
GBL12C only  
1-3/4" 1000 RPM  
N30627  
**\$ 980.00**



**PTO B**  
PTO choice for  
GBL12S/12A only  
1-3/4" 1000 RPM  
N29021  
**\$ 980.00**

**Option W**  
Work Light Kit  
Magnetic Mount  
3 -10 LED Lights  
2400 lumens ea.  
N33060  
**\$ 560.00**

